



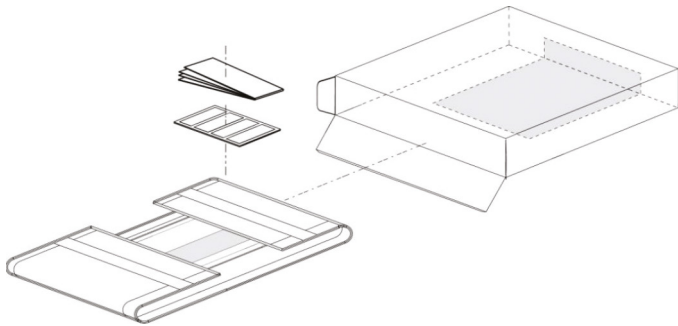
UP. EXTREMITY



**Suture for
Ligament Reinsertion**

INDICATIONS

- Repairing or reinforcing ligaments
- Closure and/or ligation of soft tissues
- Tuberosity's reinsertions



PRODUCTS

Arrow link is composed of a thread crimped on stainless steel needles. It is indicated to repair or reinforce ligaments, closure and/or ligation of soft tissues, and tuberosity's reinsertions.

- Thread: USP 3/4, L = 90mm
- Material: 87,5% polyethylene / 12,5% polypropylene
- Round needle: 1/2 length 25mm
- Triangular needle: 1/2 length 40mm

Arrow link is sterilized with ethylene oxide. Single use. Do not re-sterilize. For any further information, please refer to the IFU.

Arrow link is an implant of the Arrow® range portfolio

REFERENCE	DESIGNATION
267 253	Arrow link

